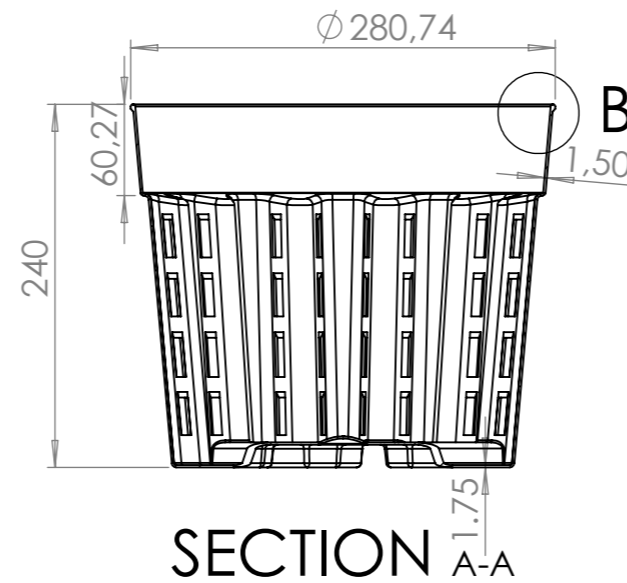
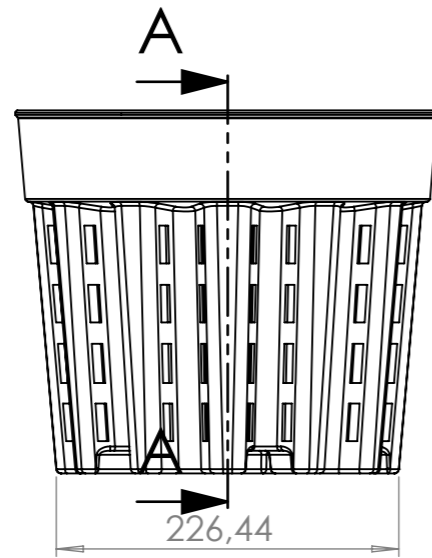
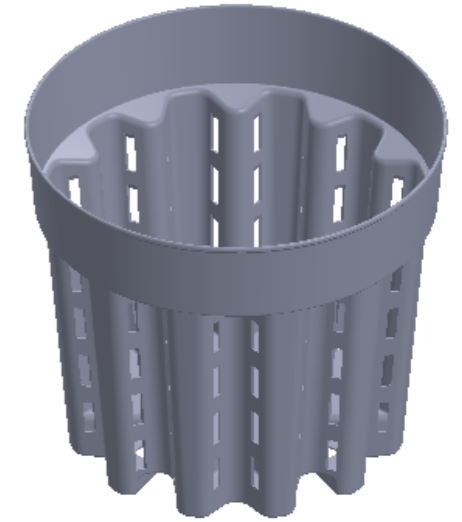
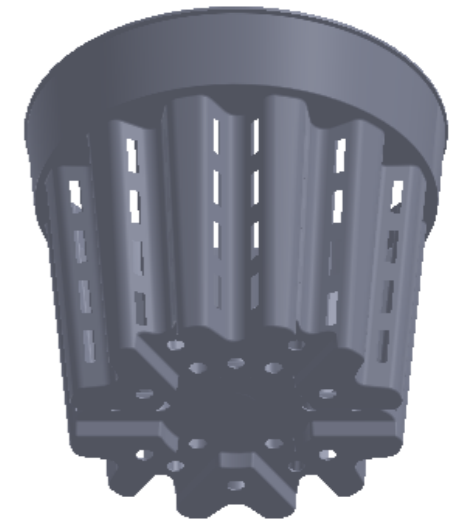
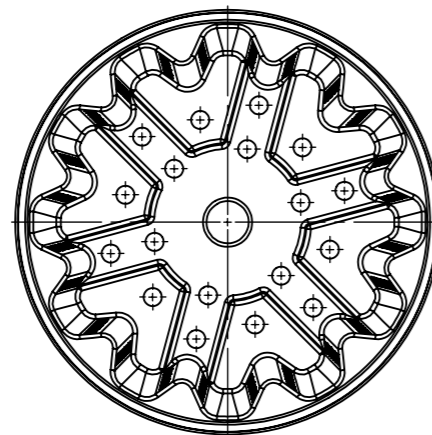
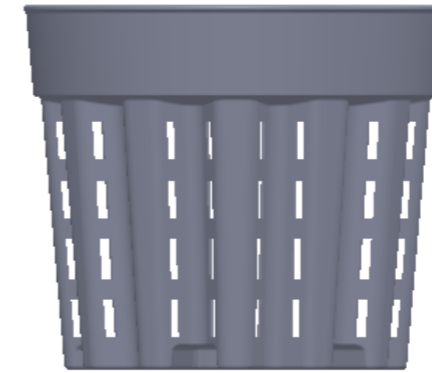


DETAIL B
SCALE 2 : 5

10.020L
340gr.



SECTION A-A



UNLESS OTHERWISE SPECIFIED: DIMENSIONS ARE IN MILLIMETERS SURFACE FINISH: TOLERANCES: LINEAR: ANGULAR:				FINISH:		DEBUR AND BREAK SHARP EDGES		DO NOT SCALE DRAWING		REVISION	
DRAWN				SIGNATURE		DATE		TITLE:			
CHK'D											
APPV'D											
MFG											
Q.A						MATERIAL:		DWG NO. SAK-10L-SAKSIA-101 A3			
						WEIGHT:		SCALE:1:5		SHEET 1 OF 1	